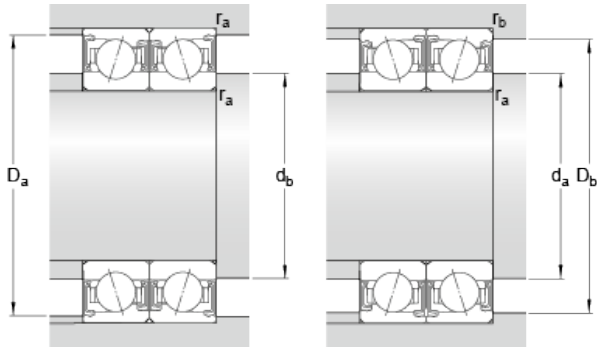




SKF DRIVESHAFT CORP



35 mm x 62 mm x 14 mm skf S7007
ACDTP/P4B Super-precision Angular contact ball
bearings

Bearing No. S7007 ACDTP/P4B

S7007 ACDTP/P4B Bearing 2D drawings and 3D CAD
models

d	35 mm
D	62 mm
B	14 mm
d ₁	43.7 mm
d ₂	43.7 mm
D ₂	55.57 mm
r _{1,2} min.	1 mm
r _{3,4} min.	0.3 mm
a	18.5 mm
d _a min.	39.6 mm
d _a max.	43.2 mm
d _b min.	39.6 mm
d _b max.	43.2 mm
D _a max.	57.4 mm
D _b max.	60 mm
r _a max.	1 mm
r _b max.	0.3 mm
Basic dynamic load rating C	14.8 kN
Basic static load rating C ₀	9 kN
Fatigue load limit P _u	0.38 kN
Attainable speed for grease lubrication	20000 r/min
Ball diameter D _w	7.938 mm
Number of balls z	16
Preload class A G _A	90 N



SKF DRIVESHAFT CORP

Static axial stiffness, preload class A	86 N/ μ m
Preload class B G_B	180 N
Static axial stiffness, preload class B	110 N/ μ m
Preload class C G_C	360 N
Static axial stiffness, preload class C	144 N/ μ m
Preload class D G_D	720 N
Static axial stiffness, preload class D	190 N/ μ m
Calculation factor f	1.06
Calculation factor f_1	0.99
Calculation factor f_{2A}	1
Calculation factor f_{2B}	1.02
Calculation factor f_{2C}	1.05
Calculation factor f_{2D}	1.08
Calculation factor f_{HC}	1
Calculation factor e	0.68
Calculation factor (single, tandem) Y_2	0.87
Calculation factor (back-to-back, face-to-face) Y_1	0.92
Calculation factor (back-to-back, face-to-face) Y_2	1.41
Mass bearing	0.15 kg