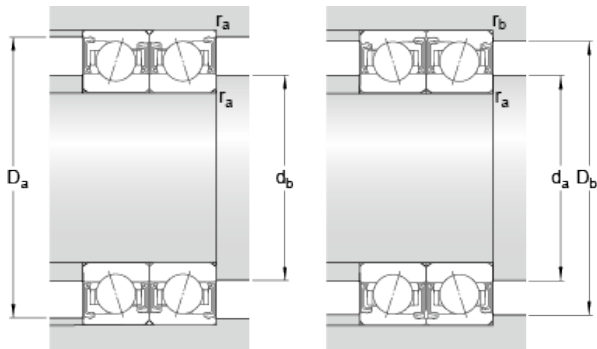




# SKF DRIVESHAFT CORP



45 mm x 75 mm x 16 mm skf S7009  
ACDTP/HCP4B Super-precision Angular contact  
ball bearings

Bearing No. S7009 ACDTP/HCP4B

S7009 ACDTP/HCP4B Bearing 2D drawings and 3D  
CAD models

d	45 mm
D	75 mm
B	16 mm
d <sub>1</sub>	54.2 mm
d <sub>2</sub>	54.2 mm
D <sub>2</sub>	68.3 mm
r <sub>1,2</sub> min.	1 mm
r <sub>3,4</sub> min.	0.3 mm
a	22.1 mm
d <sub>a</sub> min.	49.6 mm
d <sub>a</sub> max.	53.7 mm
d <sub>b</sub> min.	49.6 mm
d <sub>b</sub> max.	53.7 mm
D <sub>a</sub> max.	70.4 mm
D <sub>b</sub> max.	73 mm
r <sub>a</sub> max.	1 mm
r <sub>b</sub> max.	0.3 mm
Basic dynamic load rating C	27.6 kN
Basic static load rating C <sub>0</sub>	21.6 kN
Fatigue load limit P <sub>u</sub>	0.9 kN
Attainable speed for grease lubrication	20000 r/min
Ball diameter D <sub>w</sub>	9.525 mm
Number of balls z	17
Preload class A G <sub>A</sub>	170 N



## SKF DRIVESHAFT CORP

Static axial stiffness, preload class A	146 N/ $\mu$ m
Preload class B $G_B$	340 N
Static axial stiffness, preload class B	192 N/ $\mu$ m
Preload class C $G_C$	680 N
Static axial stiffness, preload class C	254 N/ $\mu$ m
Preload class D $G_D$	1360 N
Static axial stiffness, preload class D	343 N/ $\mu$ m
Calculation factor f	1.09
Calculation factor $f_1$	0.99
Calculation factor $f_{2A}$	1
Calculation factor $f_{2B}$	1.02
Calculation factor $f_{2C}$	1.05
Calculation factor $f_{2D}$	1.08
Calculation factor $f_{HC}$	1.02
Calculation factor e	0.68
Calculation factor (single, tandem) $Y_2$	0.87
Calculation factor (back-to-back, face-to-face) $Y_1$	0.92
Calculation factor (back-to-back, face-to-face) $Y_2$	1.41
Mass bearing	0.2 kg