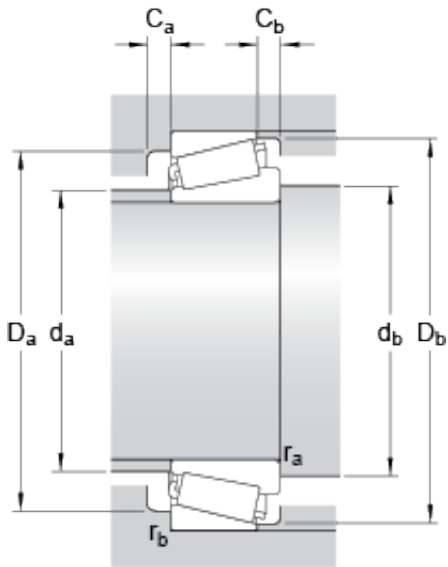




# SKF DRIVESHAFT CORP



T7FC 085 Bearing 2D drawings and 3D CAD models

85 mm x 170 mm x 45 mm skf T7FC 085 Single row tapered roller bearings

Bearing No. T7FC 085

Dimension series	7FC
d	85 mm
D	170 mm
T	48 mm
d <sub>1</sub>	132.8 mm
B	45 mm
C	33 mm
r <sub>1,2</sub> min.	4 mm
r <sub>3,4</sub> min.	4 mm
a	53.827 mm
d <sub>a</sub> max.	100 mm
d <sub>b</sub> min.	100.5 mm
D <sub>a</sub> min.	131 mm
D <sub>a</sub> max.	156 mm
D <sub>b</sub> min.	161 mm
C <sub>a</sub> min.	6 mm
C <sub>b</sub> min.	15 mm
r <sub>a</sub> max.	4 mm
r <sub>b</sub> max.	4 mm
Basic dynamic load rating C	333 kN
Basic static load rating C <sub>0</sub>	380 kN
Fatigue load limit P <sub>u</sub>	43 kN
Reference speed	2800 r/min
Limiting speed	3800 r/min
Calculation factor e	0.79



## SKF DRIVESHAFT CORP

Calculation factor Y	0.76
Calculation factor $Y_0$	0.4
Mass bearing	4.85 kg