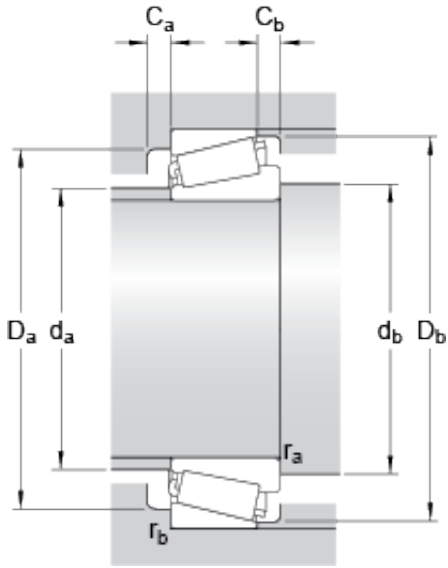




SKF DRIVESHAFT CORP



549.199 mm x 692.15 mm x 80.963 mm skf L
476549 AX/510 Single row tapered roller bearings

Bearing No. L 476549 AX/510

L 476549 AX/510 Bearing 2D drawings and 3D CAD models

Dimension series	L 476500
d	549.199 mm
D	692.15 mm
T	80.963 mm
d ₁	615.5 mm
B	80.963 mm
C	61.913 mm
r _{1,2} min.	6.4 mm
r _{3,4} min.	6.4 mm
a	113 mm
d _a max.	583 mm
d _b min.	581 mm
D _a min.	646 mm
D _a max.	660 mm
D _b min.	667 mm
C _a min.	13 mm
C _b min.	19 mm
r _a max.	6 mm
r _b max.	6 mm
Basic dynamic load rating C	1340 kN
Basic static load rating C ₀	3450 kN
Fatigue load limit P _u	255 kN
Reference speed	530 r/min
Limiting speed	1100 r/min
Calculation factor e	0.37



SKF DRIVESHAFT CORP

Calculation factor Y	1.6
Calculation factor Y_0	0.9
Mass bearing	67 kg