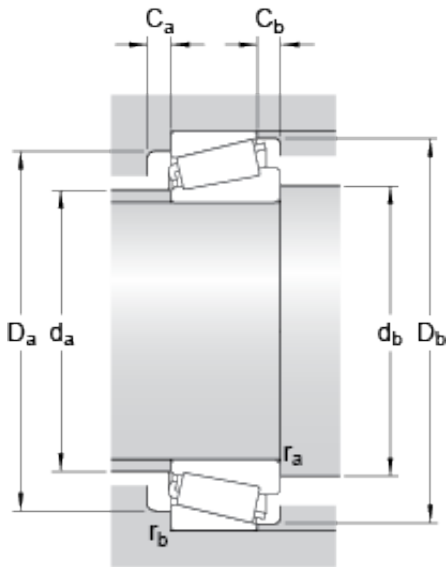




# SKF DRIVESHAFT CORP

47.625 mm x 88.9 mm x 22.225 mm skf 369  
S/362 A Single row tapered roller bearings

Bearing No. 369 S/362 A



369 S/362 A Bearing 2D drawings and 3D CAD models

Dimension series	365
d	47.625 mm
D	88.9 mm
T	20.638 mm
d <sub>1</sub>	66.2 mm
B	22.225 mm
C	16.513 mm
r <sub>1,2</sub> min.	2.3 mm
r <sub>3,4</sub> min.	1.3 mm
a	16.326 mm
d <sub>a</sub> max.	58 mm
d <sub>b</sub> min.	58 mm
D <sub>a</sub> min.	80 mm
D <sub>a</sub> max.	81.5 mm
D <sub>b</sub> min.	83 mm
C <sub>a</sub> min.	4 mm
C <sub>b</sub> min.	4 mm
r <sub>a</sub> max.	2.3 mm
r <sub>b</sub> max.	1.3 mm
Basic dynamic load rating C	94 kN
Basic static load rating C <sub>0</sub>	91.5 kN
Fatigue load limit P <sub>u</sub>	10.4 kN
Reference speed	6300 r/min
Limiting speed	7500 r/min
Calculation factor e	0.31



## SKF DRIVESHAFT CORP

Calculation factor Y	1.9
Calculation factor $Y_0$	1.1
Mass bearing	0.55 kg