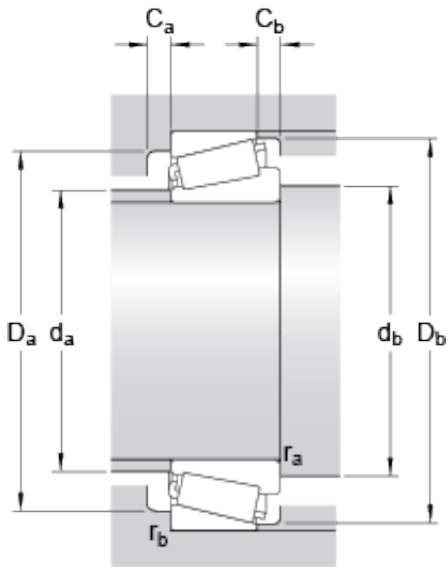




SKF DRIVESHAFT CORP



44.45 mm x 93.264 mm x 30.302 mm skf
3782/3720 Single row tapered roller bearings

Bearing No. 3782/3720

3782/3720 Bearing 2D drawings and 3D CAD models

Dimension series	3700
d	44.45 mm
D	93.264 mm
T	30.163 mm
d ₁	71.2 mm
B	30.302 mm
C	23.812 mm
r _{1,2} min.	3.5 mm
r _{3,4} min.	3.3 mm
a	21.71 mm
d _a max.	60 mm
d _b min.	57.5 mm
D _a min.	80 mm
D _a max.	81.5 mm
D _b min.	87 mm
C _a min.	4 mm
C _b min.	6 mm
r _a max.	3.5 mm
r _b max.	3.3 mm
Basic dynamic load rating C	134 kN
Basic static load rating C ₀	146 kN
Fatigue load limit P _u	17 kN
Reference speed	5600 r/min
Limiting speed	7000 r/min
Calculation factor e	0.33



SKF DRIVESHAFT CORP

Calculation factor Y	1.8
Calculation factor Y_0	1
Mass bearing	0.98 kg