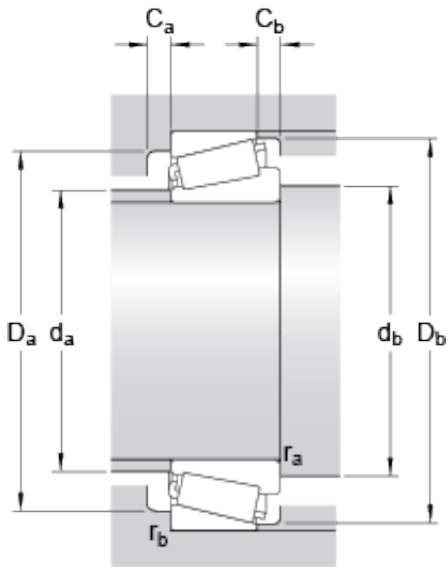




SKF DRIVESHAFT CORP



50 mm x 100 mm x 35 mm skf T2ED 050 Single row tapered roller bearings

Bearing No. T2ED 050

T2ED 050 Bearing 2D drawings and 3D CAD models

Dimension series	2ED
d	50 mm
D	100 mm
T	36 mm
d ₁	73.5 mm
B	35 mm
C	30 mm
r _{1,2} min.	2.5 mm
r _{3,4} min.	2.5 mm
a	24.464 mm
d _a max.	59 mm
d _b min.	61 mm
D _a min.	84 mm
D _a max.	90 mm
D _b min.	94 mm
C _a min.	6 mm
C _b min.	6 mm
r _a max.	2.5 mm
r _b max.	2.5 mm
Basic dynamic load rating C	189 kN
Basic static load rating C ₀	200 kN
Fatigue load limit P _u	22.4 kN
Reference speed	5600 r/min
Limiting speed	6700 r/min
Calculation factor e	0.35



SKF DRIVESHAFT CORP

Calculation factor Y	1.7
Calculation factor Y_0	0.9
Mass bearing	1.31 kg