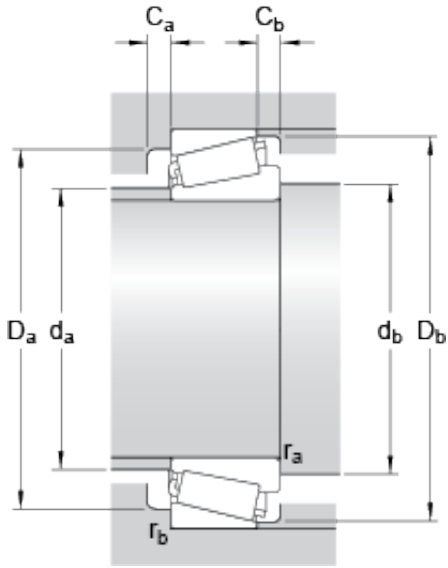




SKF DRIVESHAFT CORP



T4EE 160 Bearing 2D drawings and 3D CAD models

160 mm x 245 mm x 59 mm skf T4EE 160 Single row tapered roller bearings

Bearing No. T4EE 160

Dimension series	4EE
d	160 mm
D	245 mm
T	61 mm
d ₁	204.25 mm
B	59 mm
C	50 mm
r _{1,2} min.	6 mm
r _{3,4} min.	4 mm
a	57.19 mm
d _a max.	174 mm
d _b min.	181 mm
D _a min.	212 mm
D _a max.	229.5 mm
D _b min.	236 mm
C _a min.	10 mm
C _b min.	11 mm
r _a max.	6 mm
r _b max.	4 mm
Basic dynamic load rating C	649 kN
Basic static load rating C ₀	980 kN
Fatigue load limit P _u	96.5 kN
Reference speed	2000 r/min
Limiting speed	2400 r/min
Calculation factor e	0.44



SKF DRIVESHAFT CORP

Calculation factor Y	1.35
Calculation factor Y_0	0.8
Mass bearing	10.3 kg