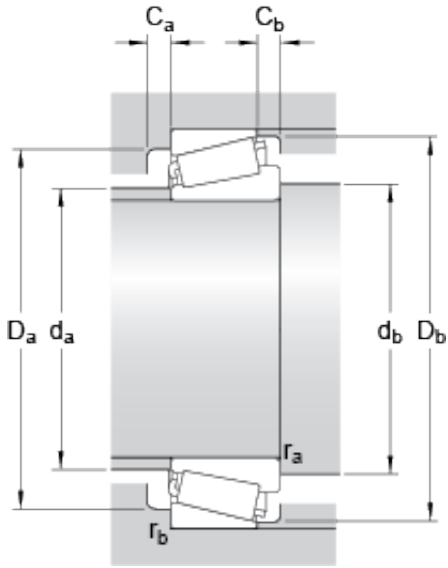




# SKF DRIVESHAFT CORP



T2ED 055 Bearing 2D drawings and 3D CAD models

55 mm x 110 mm x 39 mm skf T2ED 055 Single row tapered roller bearings

Bearing No. T2ED 055

Dimension series	2ED
d	55 mm
D	110 mm
T	39 mm
d <sub>1</sub>	80.9 mm
B	39 mm
C	32 mm
r <sub>1,2</sub> min.	2.5 mm
r <sub>3,4</sub> min.	2.5 mm
a	26.642 mm
d <sub>a</sub> max.	65 mm
d <sub>b</sub> min.	66 mm
D <sub>a</sub> min.	93 mm
D <sub>a</sub> max.	100 mm
D <sub>b</sub> min.	104 mm
C <sub>a</sub> min.	7 mm
C <sub>b</sub> min.	7 mm
r <sub>a</sub> max.	2.5 mm
r <sub>b</sub> max.	2.5 mm
Basic dynamic load rating C	220 kN
Basic static load rating C <sub>0</sub>	232 kN
Fatigue load limit P <sub>u</sub>	26 kN
Reference speed	5000 r/min
Limiting speed	6000 r/min
Calculation factor e	0.35



## SKF DRIVESHAFT CORP

Calculation factor Y	1.7
Calculation factor $Y_0$	0.9
Mass bearing	1.69 kg